

Instructions



Before attempting to connect or operate this product,
please read these instructions carefully.

Mono Input Module **WU-SX01A**

PREFACE

RAMSA's Mono Input Module WU-SX01A is designed to use with the Audio Mixer WR-SX1A (WR-SX1) series.

BEFORE INSTALLATION

Be sure to set the address or internal switch appropriately before mounting this module into the Audio Mixer WR-SX1A (WR-SX1) series.

Otherwise, the computer control can not work correctly.

REFER TO THE OPERATING INSTRUCTIONS OF AUDIO MIXER WR-SX1A (WR-SX1) SERIES FOR THE DETAIL.

SPECIFICATIONS

Dimensions	31 (W) x 270 (H) x 930 (D) mm [1-1/4" (W) x 10-5/8" (H) x 36-5/8" (D)]
Weight	1.7kg (3.7lbs.)

Weight and dimensions indicated are approximate.
Specifications are subject to change without notice.

The serial number of this product may be found on the top of the unit.

You should note the serial number of this unit in the space provided and retain this book as a permanent record of your purchase to aid identification in the event of theft.

Model No. WU-SX01A

Serial No. _____

WARNING:

TO PREVENT FIRE OR ELECTRIC SHOCK HAZARD, DO NOT EXPOSE THIS APPLIANCE TO RAIN OR MOISTURE.

■ To Users of the WR-SX1 Series

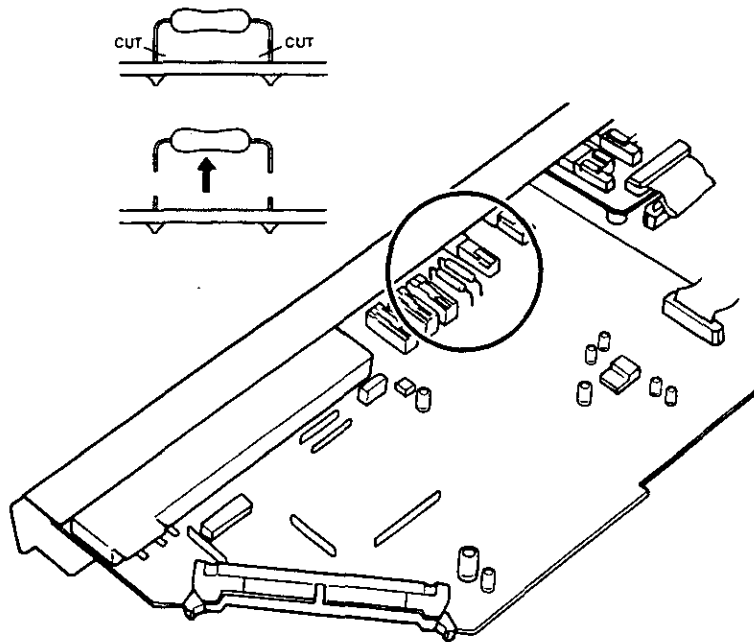
- This module is for the WR-SX1A series. If you are a WR-SX1 series user, be sure to read the following instructions before installing the module.
 - ◆ If you do not know which series, SX1 or SX1A, you are using, it is shown on the front cover of the operating instructions or on the nameplate on the rear panel of the device. It can also be checked by model number.
 - SX1 series: Model WR-SX1/** (** indicates the number of channels)
 - SX1A series: Model WR-SX1A/** (** indicates the number of channels)

[LEVEL MATCH LED colors have been changed.]

- Starting with the SX1A series, the LEVEL MATCH LED lights in two colors. It lights green, as on the preceding models, when the fader position matches the fader value saved in the memory, but it lights red when the fader position exceeds the memory value.
- The LEVEL MATCH LED can be modified to light in green only as on the preceding models if you wish to match it with the functions of the other modules installed in the device. The method of its modification is as follows:

[Method]

- Remove the R102 shown below by disconnecting it or cutting the lead at the root.



Panasonic

Broadcast & Television Systems Company

Division of Matsushita Electric Corporation of America

RAMSA/Professional Audio Systems

3330 Cahuenga Blvd. West, Los Angeles, CA 90068 1-800-777-1146

PANASONIC CANADA INC.
5770 Ambler Drive, Mississauga, Ontario, L4W 2T3 Canada (905) 624-5010

NM0699-0

YWA8QA5207AN

Printed in USA